

4

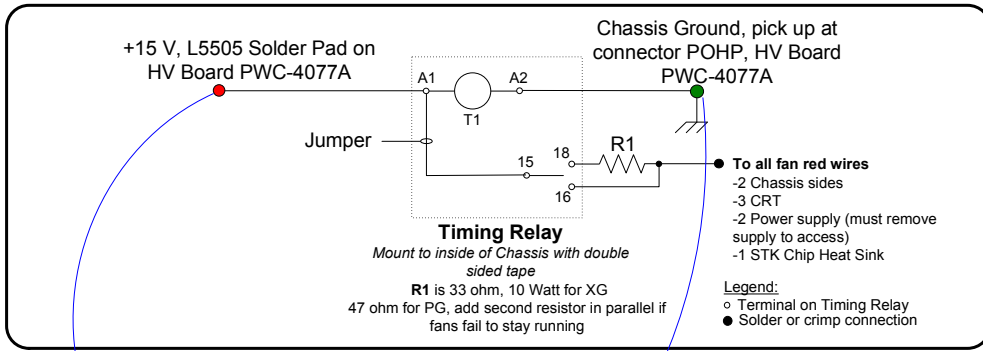
3

2

1

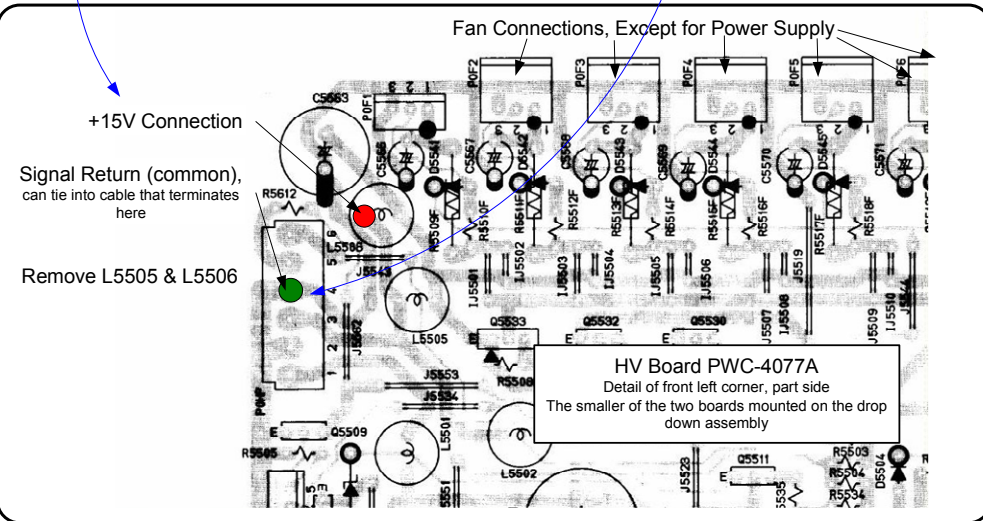
D

D



C

C



B

B

Disclaimer: This mod is offered in good faith and has been successfully implemented by me, but all warranties, guarantees or promises are expressly disclaimed. You are on your own. Do not undertake this mod if you have any doubt in your abilities. This modification *can* ruin your projector and/or render it unusable! Also, unplug projector before beginning any work, *dangerous lethal voltages are present within CRT projectors. Working on projectors is dangerous!*

Operation: The fan modification works by using a timing relay that applies full voltage to the fans to get them running when the projector is started, after an adjustable time delay (start at about 3-5 seconds, set on red dial), then switching to a reduced voltage mode after the fans are running to reduce noise. Circuit auto-resets when projector is turned off.

A

A

Allen-Bradley 700-FSA3CZ12
-Industrial Timing Relay
-Time Delay On
-Single SPDT Contact
-0.5 - 10 Second Adjustable Range
-Available at Many Electrical Wholesalers

For: Example

DRAWN BY
C. M. Collins

DATE
10/1/04

SCALE
None

COLLINS CUSTOM ELECTRONICS

TITLE
XG Fan Mod

PAGE
D-3

4

3

2

1